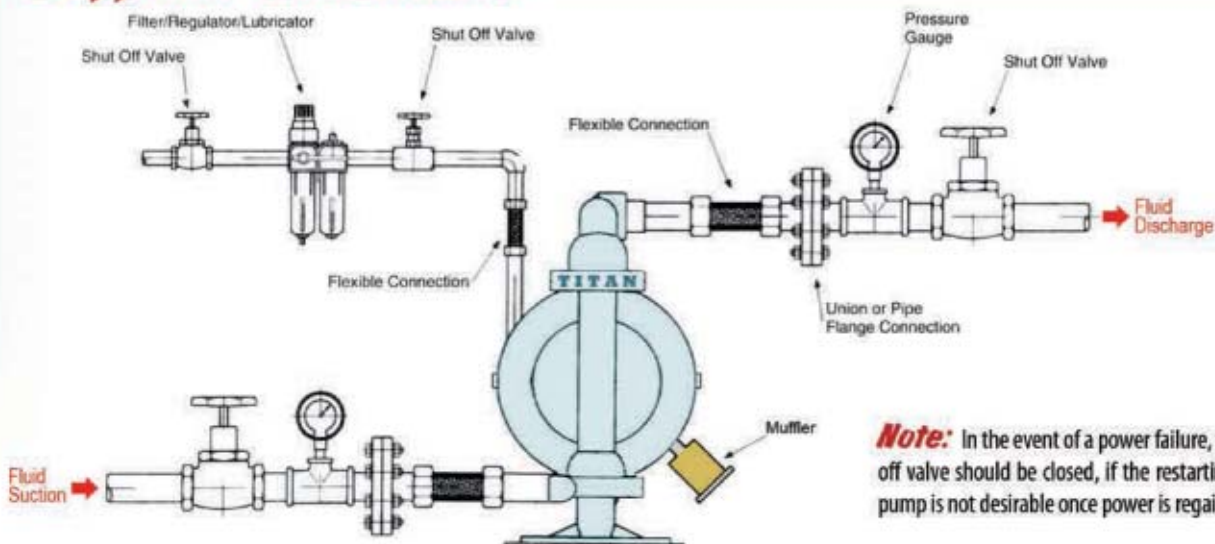


Titan T-50 & T-80

PARTS LIST

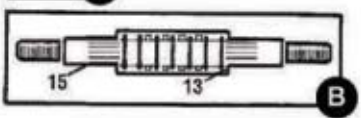
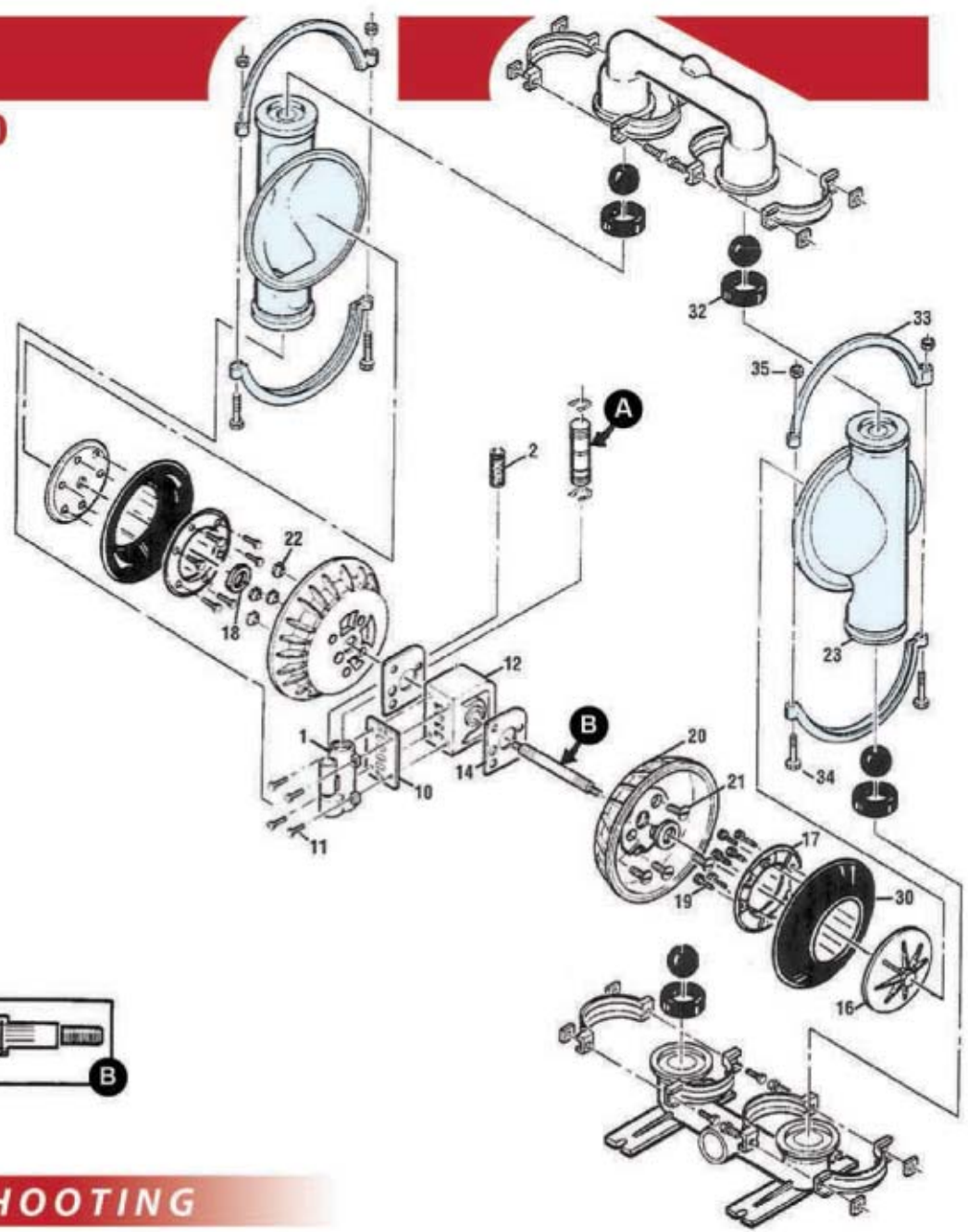
Item	Description	T-50		T-80	
		Rubber Fitted	PTFE Fitted	Rubber Fitted	PTFE Fitted
1	Air Valve Assembly	1	D08-2000-07	D08-2000-07	D15-2000-07
2	Air Valve Screen	1	D08-2500-07	D08-2500-07	D15-2500-07
3	Air Valve End Cap w/ Guide (Top)	1	D08-2300-23	D08-2300-23	D15-2300-23
4	Air Valve End Cap w/out Guide (Bottom)	1	D08-2330-23	D08-2330-23	D15-2330-23
5	Air Valve Snap Ring	2	D08-2650-03	D08-2650-03	D15-2650-03
6	Air Valve Cap O-ring	2	D08-2390-52	D08-2390-52	D15-2390-52
10	Air Valve Gasket	1	D08-2600-52	D08-2600-52	D15-2600-52
11	Air Valve Screw 5/16" - 18 x 2 1/4"	4	D08-6000-08	D08-6000-08	D15-6000-08
12	Center Block	1	D08-3100-01-225	D08-3100-01-225	D15-3100-01-225
13	Center Block TRACKER™ Seal	7	D08-3210-77-225	D08-3210-77-225	D15-3210-77-225
14	Block Gasket	2	D08-3520-52	D08-3520-52	D15-3520-52
15-A	Shaft *Teflon	1	D08-3800-09-07	* D08-3820-03-07	D15-3800-09-07
15-B	Shaft Studd 1/2" - 20 x 1 - 7/8"			D08-6152-08	
16	Outer Piston	2	D08-4550-01	D08-4600-01	D15-4550-01
17	Inner Piston	2	D08-3700-01	D08-3750-01	D15-3700-01
18	Inner Piston Back-up Washer	2			D15-6850-08
19	Piston Assembly - Bolt 2 3/8" - 16 x 1 1/2"	12			D15-6130-08
	Washer, Flat (Not Shown)	12			D15-6720-08
20	Air Chamber	2	D08-3650-01	D08-3650-01	D15-3650-01
21	Air Chamber Screw 3/8" - 16 x 4"	4	D08-6200-08	D08-6200-08	D15-6200-08
22	Air Chamber Cone Nut 3/8" - 16	4	D08-6550-08	D08-6550-08	D15-6550-08
23	Liquid Chamber	2	D08-5000-01	D08-5000-01	D15-5000-01
24	Discharge Manifold	1	D08-5020-01	D08-5020-01	D15-5020-01
26	Inlet Manifold	1	D08-5080-01	D08-5080-01	D15-5080-01
30-A	Diaphragm - Neoprene / *Teflon	2	D08-1010-51	* D08-1010-55	D15-1010-51
30-B	Backup Diaphragm Teflon	2		D08-1060-52	D15-1060-52
31	Valve Ball - Neoprene / *Teflon	4	D08-1080-51	* D08-1080-55	D15-1080-51
32	Valve Seat - Neoprene / *Teflon	4	D08-1120-51	* D08-1121-01	D15-1120-51
33	Large Clamp Band Assembly	2	D08-7300-08	D08-7300-08	D15-7300-08
34	Large Carriage Bolt 1/2" - 13 x 3 1/2"	4	D08-6120-08	D08-6120-08	D15-6120-08
35	Large Hex Nut 1/2" - 13	4	D08-6420-08	D08-6420-08	D15-6420-08
36	Small Clamp Band Assembly	4	D08-7100-08	D08-7100-08	D15-7100-08
37	Small Carriage Bolt 3/8" - 16 x 2"	8	D08-6050-08	D08-6050-08	D15-6050-08
38	Small Hex Nut 3/8" - 16	8	D08-6450-08	D08-6400-08	D15-6450-08
39	PTFE Valve Seat O-Ring	4		D08-1200-55	D15-1200-55
	Muffler (Not Shown)	1	D08-3510-99	D08-3510-99	D15-3510-99
	Washer, Flat (Not Shown)	8		D08-6720-07-70	
	Check Ball (Not Shown)	1	D08-1450-51	D08-1450-51	D15-1450-51
	Check Body (Not Shown)	1	D08-3550-01	D08-3550-01	D15-3550-01
	Pipe Nipple (Not Shown)	1	D08-7420-08	D08-7420-08	D15-7420-08

Suggested Installation



Note: In the event of a power failure, the shut-off valve should be closed, if the restarting of the pump is not desirable once power is regained.

Isometric Drawing T-50 & T-80



TROUBLESHOOTING

- **Pump will not run or runs slowly.**
 1. Check air inlet screen and air filter for debris.
 2. Check for sticking air valve, flush air valve in solvent.
 3. Check for worn out air valve. If piston face in air valve is shiny instead of dull, air valve is worn beyond working tolerances and must be replaced.
 4. Check center block rings. If worn excessively, they will not seal and air will simply flow through pump and out air exhaust.
 5. Check type of lubricant being used. ISO 15-5 wt. recommended.
- **Pump runs but little or no product flows.**
 1. Check for pump cavitation; slow pump speed down to match thickness of material being pumped.
 2. Check for sticking ball valves. If material being pumped is not compatible with pump elastomers, swelling may occur.
 3. Make sure all suction connections are air tight.
- **Pump air valve freezes.**
Check for excessive moisture in compressed air.

Air bubbles in pump discharge.
 1. Check for ruptured diaphragm.
 2. Check for tightness for clamp bands, especially at intake manifold.
- **Product comes out air exhaust.**
 1. Check for diaphragm rupture.
 2. Check tightness of piston plates to shaft.
- **Pump rattles.**
Create false discharge head or suction lift.

When quality counts...count on **Titan!**