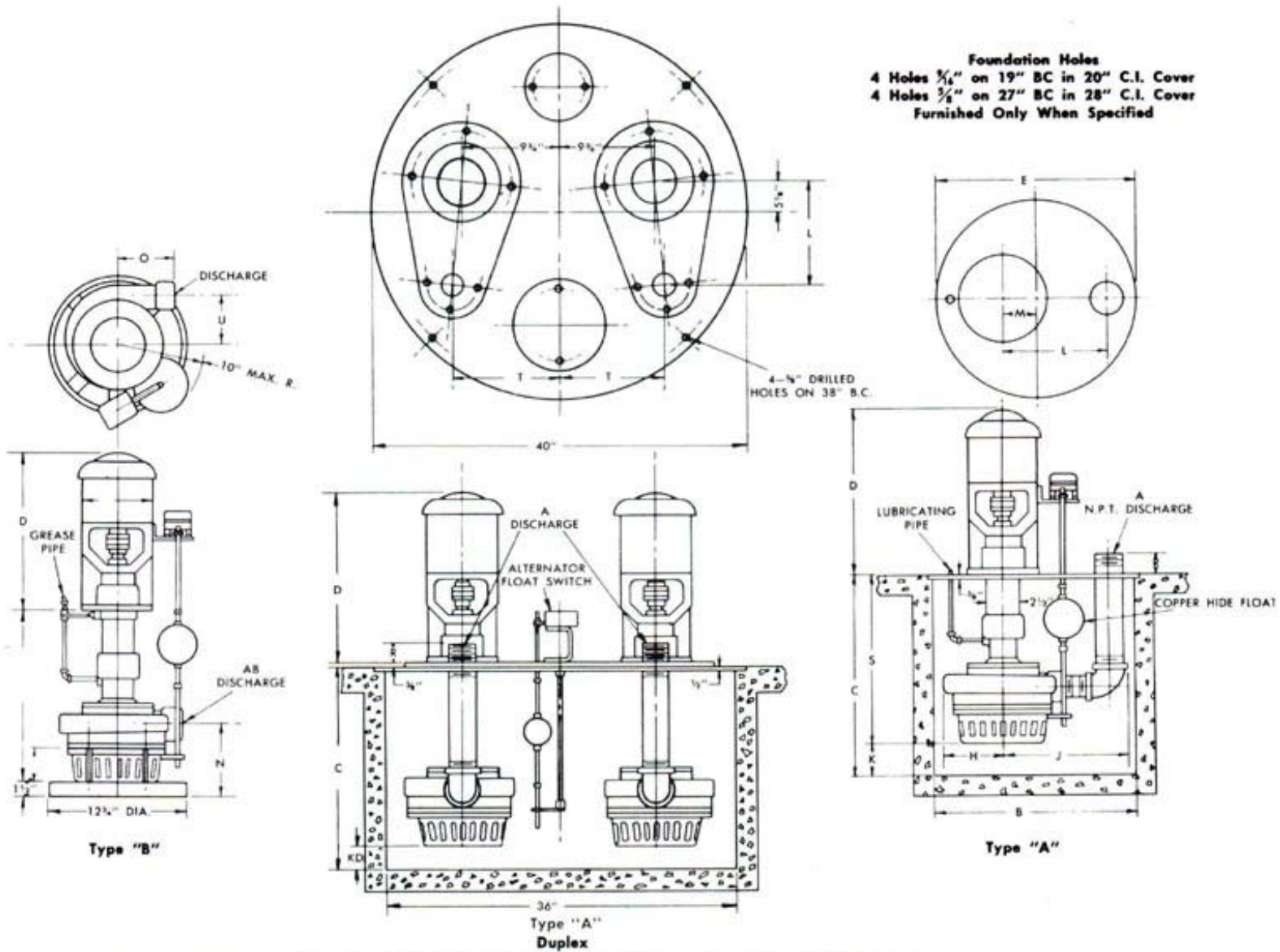


# Standard Dimensions of Sump Pumps in Inches

## Single and Duplex Units



**Foundation Holes**  
 4 Holes  $\frac{3}{8}$ " on 19" BC in 20" C.I. Cover  
 4 Holes  $\frac{3}{8}$ " on 27" BC in 28" C.I. Cover  
 Furnished Only When Specified

Not to be used for construction purposes unless confirmed by factory.

UNIT	H.P.	A	B	C	D	E	H	J	K	L	M	N	O	R	S	AB	T	U	KD		
2I	$\frac{1}{2}$	$1\frac{1}{2}$	18	2 Ft. to 10 Ft. in 1 Ft. Multiples	21	20	$4\frac{1}{4}$	$11\frac{1}{4}$	$4\frac{3}{4}$	10	3	$5\frac{1}{2}$	$5\frac{1}{2}$	$1\frac{3}{4}$	$19\frac{3}{4}$	N.P.T.	$11\frac{1}{2}$	$3\frac{3}{4}$	$4\frac{3}{4}$		
3I	$\frac{3}{4}$	$1\frac{1}{2}$			21		$4\frac{1}{4}$	$11\frac{1}{4}$	$4\frac{3}{4}$	10	3	$5\frac{1}{2}$	$5\frac{1}{2}$	$1\frac{3}{4}$	$19\frac{3}{4}$		$11\frac{1}{2}$	$3\frac{3}{4}$	$4\frac{3}{4}$		
2K	$\frac{1}{2}$	2	or 24		21		28	$4\frac{1}{4}$	$11\frac{1}{4}$	$4\frac{3}{4}$	$9\frac{3}{4}$	3	$5\frac{1}{2}$	$5\frac{1}{2}$	$1\frac{3}{4}$		$19\frac{3}{4}$	$11\frac{1}{2}$	$3\frac{3}{4}$	$4\frac{3}{4}$	
3K	$\frac{3}{4}$	2			21			$4\frac{1}{4}$	$11\frac{1}{4}$	$4\frac{3}{4}$	$9\frac{3}{4}$	3	$5\frac{1}{2}$	$5\frac{1}{2}$	$1\frac{3}{4}$		$19\frac{3}{4}$	$11\frac{1}{2}$	$3\frac{3}{4}$	$4\frac{3}{4}$	
4K	1	2	24		22 $\frac{1}{2}$	28	$4\frac{1}{4}$	$11\frac{1}{4}$	$4\frac{3}{4}$	$9\frac{3}{4}$	3	$5\frac{1}{2}$	$5\frac{1}{2}$	$1\frac{3}{4}$	$19\frac{3}{4}$	$11\frac{1}{2}$	$3\frac{3}{4}$	$4\frac{3}{4}$			
4L	1	$2\frac{1}{2}$			22 $\frac{1}{2}$		$4\frac{1}{4}$	$12\frac{3}{8}$	$4\frac{3}{4}$	11	4	$5\frac{1}{2}$	$5\frac{1}{2}$	$2\frac{1}{4}$	$19\frac{3}{4}$	$11\frac{1}{2}$	$3\frac{3}{4}$	$4\frac{3}{4}$			
5J	$\frac{3}{4}$	$1\frac{1}{2}$	18		21	20	$5\frac{3}{8}$	$11\frac{1}{8}$	$2\frac{3}{4}$	$9\frac{11}{16}$	3	7	$5\frac{1}{2}$	$1\frac{3}{4}$	$21\frac{1}{2}$	N.P.T.	$11\frac{1}{2}$	$4\frac{3}{4}$	$3\frac{3}{4}$		
6I	1	$1\frac{1}{2}$			22 $\frac{1}{2}$		$5\frac{3}{8}$	$11\frac{1}{8}$	$2\frac{3}{4}$	$9\frac{11}{16}$	3	7	$5\frac{1}{2}$	$1\frac{3}{4}$	$21\frac{1}{2}$		$11\frac{1}{2}$	$4\frac{3}{4}$	$3\frac{3}{4}$		
7I	$1\frac{1}{2}$	$1\frac{1}{2}$	or 24		22 $\frac{1}{2}$		28	$5\frac{3}{8}$	$11\frac{1}{8}$	$2\frac{3}{4}$	$9\frac{11}{16}$	3	7	$5\frac{1}{2}$	$1\frac{3}{4}$		$21\frac{1}{2}$	N.P.T.	$11\frac{1}{2}$	$4\frac{3}{4}$	$3\frac{3}{4}$
5K	$\frac{3}{4}$	2			21			$5\frac{3}{8}$	$11\frac{1}{8}$	$2\frac{3}{4}$	$9\frac{11}{16}$	3	7	$5\frac{1}{2}$	$1\frac{3}{4}$		$21\frac{1}{2}$		$11\frac{1}{2}$	$4\frac{3}{4}$	$3\frac{3}{4}$
6K	1	2	24		22 $\frac{1}{2}$	28	$5\frac{3}{8}$	$11\frac{1}{8}$	$2\frac{3}{4}$	$9\frac{11}{16}$	3	7	$5\frac{1}{2}$	$1\frac{3}{4}$	$21\frac{1}{2}$	N.P.T.	$11\frac{1}{2}$	$4\frac{3}{4}$	$3\frac{3}{4}$		
7K	$1\frac{1}{2}$	2			22 $\frac{1}{2}$		$5\frac{3}{8}$	$11\frac{1}{8}$	$2\frac{3}{4}$	$9\frac{11}{16}$	3	7	$5\frac{1}{2}$	$1\frac{3}{4}$	$21\frac{1}{2}$		$11\frac{1}{2}$	$4\frac{3}{4}$	$3\frac{3}{4}$		
11L	$1\frac{1}{2}$	$2\frac{1}{2}$	24	22 $\frac{1}{2}$	28	$5\frac{3}{8}$	$13\frac{1}{8}$	$2\frac{3}{4}$	$11\frac{1}{8}$	4	7	$6\frac{1}{4}$	$2\frac{3}{4}$	$21\frac{1}{2}$	N.P.T.	$11\frac{1}{2}$	$4\frac{3}{4}$	$3\frac{3}{4}$			
12L	2	$2\frac{1}{2}$	24	24 $\frac{1}{2}$	28	$5\frac{3}{8}$	$13\frac{1}{8}$	$2\frac{3}{4}$	$11\frac{1}{8}$	4	7	$6\frac{1}{4}$	$2\frac{3}{4}$	$21\frac{1}{2}$		2 $\frac{1}{2}$	$11\frac{1}{2}$	$4\frac{3}{4}$	$3\frac{3}{4}$		
10N	1	3	24	22 $\frac{1}{2}$	28	$5\frac{3}{8}$	$13\frac{1}{8}$	$2\frac{3}{4}$	$11\frac{1}{8}$	4	7	$6\frac{1}{4}$	$2\frac{3}{4}$	$21\frac{1}{2}$			N.P.T.	$11\frac{1}{2}$	$4\frac{3}{4}$	$3\frac{3}{4}$	
11N	$1\frac{1}{2}$	3	24	22 $\frac{1}{2}$	28	$5\frac{3}{8}$	$13\frac{1}{8}$	$2\frac{3}{4}$	$11\frac{1}{8}$	4	7	$6\frac{1}{4}$	$2\frac{3}{4}$	$21\frac{1}{2}$		$11\frac{1}{2}$		$4\frac{3}{4}$	$3\frac{3}{4}$		
12N	2	3	24	24 $\frac{1}{2}$	28	$5\frac{3}{8}$	$13\frac{1}{8}$	$2\frac{3}{4}$	$11\frac{1}{8}$	4	7	$6\frac{1}{4}$	$2\frac{3}{4}$	$21\frac{1}{2}$	$11\frac{1}{2}$	$4\frac{3}{4}$	$3\frac{3}{4}$				